

## Manual call point

FDM1101, FDM1101A



### Conventional/SynoLINE300, Collective/SynoLINE600

- Manual call point FDM1101 for all fire detection systems with collective/SynoLINE600 signal processing
- Manual call point FDM1101A for all fire detection systems with conventional/SynoLINE300 signal processing
- Direct activation: type 'A' according to EN 54-11
- For surface and recessed mounting
- Either glass insert or resettable plastic insert
- Special FDM1101 housing designs available for the French market:
  - FDM1101-RG (F) with glass insert
  - FDM1101-RP (F) with plastic insert
- Two-wire installation for all cable types
- Optional connection terminal DBZ1190-AB (3-pin, 0.5...2.5 mm<sup>2</sup>) for connecting shielded cables

## Properties

### Features

- FDM1101-Rx with integrated alarm indicator (LED)
- Protected electronics

### Eco-friendly

- Environmentally friendly processing
- Reusable materials
- Electronic parts and synthetic materials can be easily separated

## Use

### Use

- For the immediate manual activation of a fire alarm
- Suitable for indoor applications

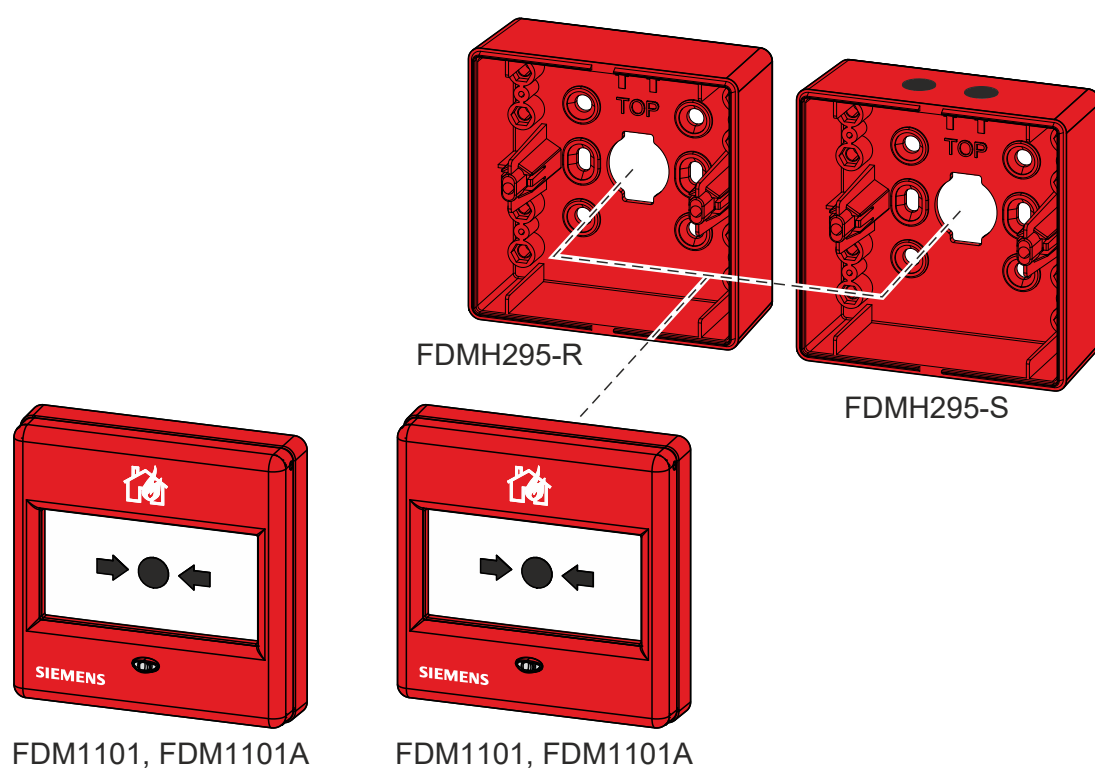
## Types of mounting

The manual call points are suitable for surface mounting and recessed mounting in easily accessible locations.

Device / Accessory	Recessed mounting	Surface mounting
FDM1101-RG with glass insert FDM1101A-RG with glass insert	X	X
FDM1101-RP with resettable plastic insert FDM1101A-RP with resettable plastic insert		
FDMH295-R back box	–	X
FDMH295-S back box with holes and grommets for cables Ø 5 mm		

X = device/accessory required for this type of mounting

– = not required for this type of mounting



If you use back box FDMH295-R, a hole with  $\text{Ø} \leq 20$  mm must be drilled in the back box for the surface-mounted cable entry. Use metal cable gland M20 x 1.5 with metal counter nut M20 x 1.5 (accessories).

### Function of the manual call points FDM1101-RG, FDM1101A-RG

- Direct alarm activation by pushing in the glass insert
- Manual call point reset by replacing the glass insert
- Protective cover FDMC295 (accessory) protects the manual call point against the glass being broken and the alarm activated accidentally.

### Function of the manual call points FDM1101-RP, FDM1101A-RP

- Direct alarm activation by pressing the plastic insert
- Manual call point reset with key FDMK295
- Protective cover FDMC295 (accessory) protects the manual call point against the alarm activated accidentally.

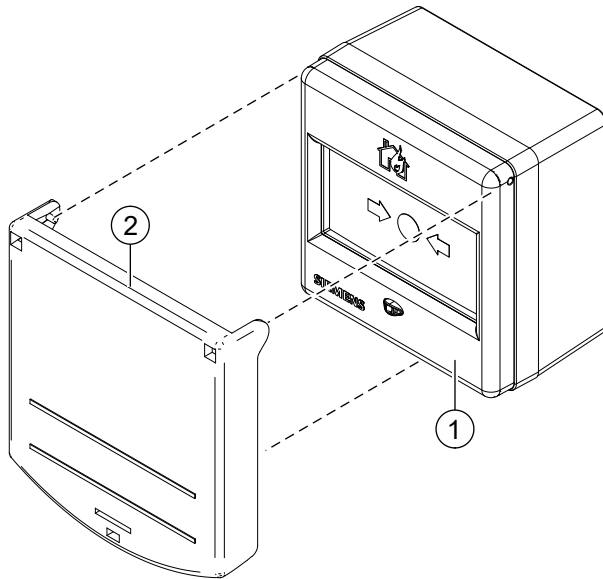


Fig. 1: Installing the protective cover FDMC295

1 Manual call points FDM1101-Rx, FDM1101A-Rx

2 Protective cover FDMC295

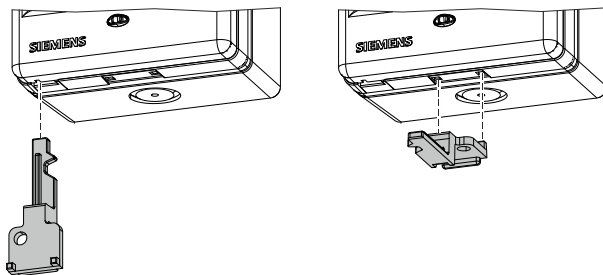


Fig. 2: Using key FDMK295 to reset the manual call points FDM1101-RP and FDM1101A-RP (left) and open the housing (right)

## Type Overview

Type	Designation	Order no.	Weight [kg]
<b>Collective/SynoLINE600</b>			
FDM1101-RG	Manual call point with glass element	S54371-F6-A1	0.100
FDM1101-RP	Manual call point with resettable plastic insert	S54371-F6-A2	0.094
FDM1101-RG (F)	Manual call point with glass insert for France	S54371-F6-A5	0.100
FDM1101-RP (F)	Manual call point with plastic insert for France	S54371-F6-A6	0.094
<b>Conventional/SynoLINE300</b>			
FDM1101A-RG	Manual call point with glass element	S54371-F6-A3	0.102
FDM1101A-RP	Manual call point with resettable plastic insert	S54371-F6-A4	0.096
<b>Accessories</b>			
FDMH295-R	Back box	A5Q00013437	0.061
FDMH295-S	Back box with holes and grommets	A5Q00013438	0.061
–	M20 x 1.5 metal cable gland	A5Q00004478	0.036
–	M20 x 1.5 metal counter nut	A5Q00004479	0.006
DBZ1190-AB	0.5...2.5 mm <sup>2</sup> , 3-pin connection terminal	BPZ:4942340001	0.001
FDMC295	Protective cover	A5Q00013440	0.036
FDMG295	Glass insert 'Neutral'	A5Q00013442	0.012
FDMP295	Plastic insert 'Neutral'	A5Q00013445	0.008
<b>Replacement material</b>			
FDMK295	Key	A5Q00013448	0.001
FDMG295-F	Glass insert France	A5Q00013443	0.012
FDMP295-F	Plastic insert France	A5Q00013446	0.008

## Product documentation

Document ID	Title
A6V10201150	Technical manual Manual call point collective FDM1101-Rx
A6V10201152	Technical manual Manual call point conventional FDM1101A-Rx
008331	List of compatibility (for 'Sinteso™' product line)
A6V10229261	List of compatibility (for 'Cerberus™ PRO' product line)
A6V10393192	List of compatibility (for 'Cerberus™ FIT' product line)

Related documents such as the environmental declarations, declarations of conformity, etc., can be downloaded from the following Internet address:

[www.siemens.com/bt/download](http://www.siemens.com/bt/download)

## Notes

### Disposal



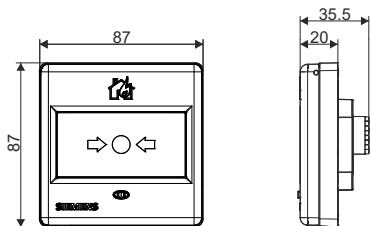
The device is considered an electronic device for disposal in accordance with European Directive and may not be disposed of as domestic waste.

- Use only designated channels for disposing the devices.
- Comply with all local and currently applicable laws and regulations.

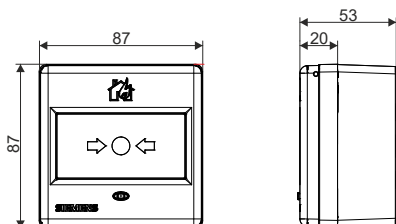
## Technical data

	<b>FDM1101</b>	<b>FDM1101A</b>
Operating voltage	DC 16...26 V	Max. AC 26 V or DC 26 V
Max. current, permanent	60 mA	100 mA
Max. current, pulsating	100 mA	Max. 1 A
Operating temperature	-25...+70 °C	-25...+70 °C
Storage temperature	-30...+75 °C	-30...+75 °C
Air humidity (no condensation permitted)	<95 % rel.	<95 % rel.
Connection terminals	0.28...1.5 mm <sup>2</sup>	0.28...1.5 mm <sup>2</sup>
Color	~RAL 3000 flame red	~RAL 3000 flame red
Protection category (EN 60529 / IEC 60529)	IP44	IP44
Conforming to:	EN 54-11	EN 54-11
Environment category:	EN 54-11	EN 54-11
Approvals <ul style="list-style-type: none"> <li>• VdS</li> <li>• LPCB</li> </ul>	FDM1101-RG / FDM1101-RP FDM1101-RG (F) / FDM1101-RP (F) G209148 126as/01 / 126as/02 126as/05 / 126as/06	FDM1101A-RG / FDM1101A-RP  G209149 126as/03 / 126as/04
Communication protocol	Collective/SynoLINE600	Conventional/SynoLINE300
System compatibility	Compatible with all fire detection systems with collective/SynoLINE600 signal processing	Compatible with all control panels that support the conventional/SynoLINE300 specification

**Manual call points FDM1101-Rx, FDM1101A-Rx (recessed mounting)**



**Manual call points FDM1101-Rx, FDM1101A-Rx with back box FDMH295-x (surface mounting)**



When mounting protective cover FDMC295 on manual call points, the depth dimension increases by 7 mm accordingly.