

Manual call points

FDM225, FDM226



Manual call points with direct activation for the FDnet/C-NET automatic addressable detector bus

- Manual call points for addressed Sinteso FS20 and Cerberus PRO FS720 fire detection systems
- Direct activation: type 'A' according to EN 54-11
- Communication via the FDnet/C-NET detector line (addressed individually)
- FDM225 for surface and recessed mounting
- FDM226 for surface mounting with protection category IP66
- Either glass insert or resettable plastic insert
- Special FDM225 housing designs available for the French market:
 - FDM225-RG (F) with glass insert
 - FDM225-RP (F) with plastic insert
- Two-wire installation for all cable types

Properties

Features

- Integrated line separator: The defective part on the detector line is located by the fire control panel and isolated between two FDnet/C-NET devices.
- Built-in alarm indicator (LED)
- Address automatically issued during commissioning
- Protected electronics
- Connection terminal DBZ1190-AB (accessory) can be mounted if shielded cables are used

Eco-friendly

- Environmentally friendly processing
- Reusable materials
- Electronic parts and synthetic materials can be easily separated

Use

Use

- For the immediate manual activation of a fire alarm
- Suitable for indoor and outdoor applications

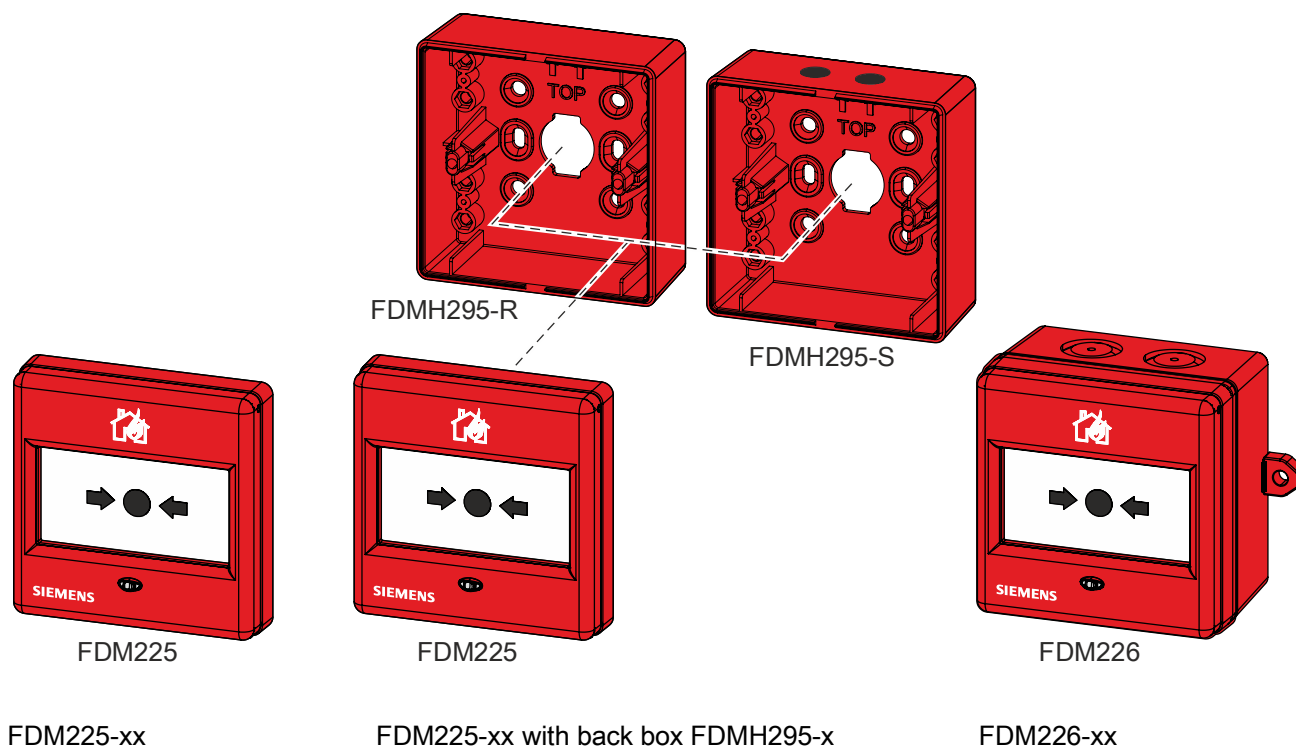
Types of mounting

The manual call points are suitable for surface and recessed mounting (FDM225-xx) or for surface mounting (FDM226-xx) in easily accessible locations.

| Device / Accessory | Recessed mounting | Surface mounting |
|--|-------------------|------------------|
| FDM225-RG with glass insert | X | X |
| FDM225-RP with resettable plastic insert | | |
| FDMH295-R back box | – | X |
| FDMH295-S back box with holes and grommets | | |
| FDM226-RG | – | X |
| FDM226-RP | | |

X = device/accessory required for this type of mounting

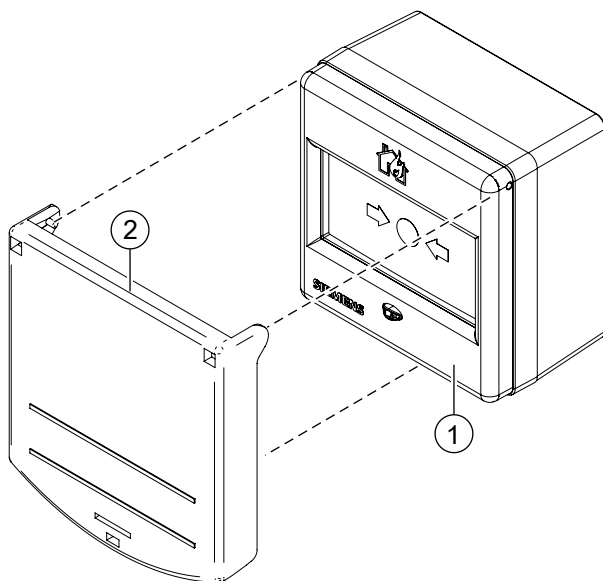
– = not required for this type of mounting



- If you use back box FDMH295-R with the FDM225-xx, a hole with $\varnothing \leq 20$ mm must be drilled in the back box for the surface-mounted cable entry. Use metal cable gland M20 x 1.5 with metal counter nut M20 x 1.5 (accessories).
- The manual call point FDM226-xx has two break-out openings on the top and two on the bottom of the housing for cable entry purposes.
- If protection category IP66 is to be achieved with the FDM226-xx, the lateral fastening tabs must be used to mount the back box. Cable entry must be effected using metal cable gland M20 x 1.5 and metal counter nut M20 x 1.5 (accessories).

Function of manual call points FDM225-RG and FDM226-RG

- Direct alarm activation by pushing in the glass insert
- Manual call point reset by replacing the glass insert
- Protective cover FDMC295 (accessory) protects the manual call point against the glass being broken and the alarm activated accidentally



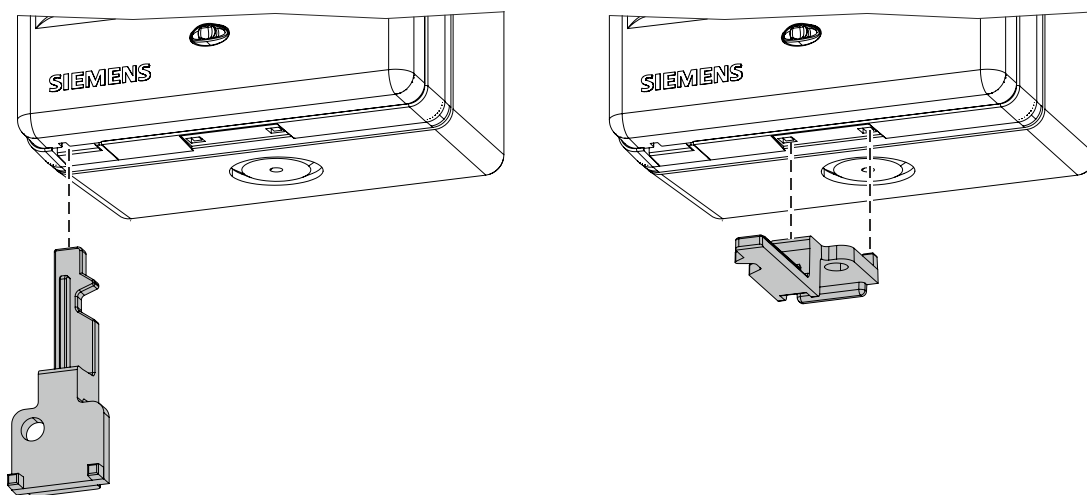
Installing the protective cover FDMC295

1 Manual call point FDM225

2 Protective cover FDMC295

Function of manual call points FDM225-RP and FDM226-RP

- Direct alarm activation by pressing the plastic insert
- Manual call point reset with key FDMK295
- Protective cover FDMC295 (accessory) protects the manual call point against the glass being broken and the alarm activated accidentally



Using key FDMK295 to reset the manual call point (left) and open the housing (right)

Type Overview

| Type | Designation | Order no. | Weight [kg] |
|-----------------------------|---|----------------|-------------|
| FDM225-RG | Manual call point with glass element | A5Q00013434 | 0,102 |
| FDM225-RP | Manual call point with plastic element | A5Q00012020 | 0,100 |
| FDM225-RG (F) | Manual call point with glass element for 'France' | A5Q00020274 | 0,102 |
| FDM225-RP (F) | Manual call point with plastic element for 'France' | A5Q00020273 | 0,100 |
| FDM226-RG | Manual call point with glass element including back box | A5Q00013435 | 0,196 |
| FDM226-RP | Manual call point with plastic element including back box | A5Q00013436 | 0,208 |
| FDMH295-R | Back box | A5Q00013437 | 0,061 |
| FDMH295-S | Back box with holes and grommets | A5Q00013438 | 0,061 |
| – | M20 x 1.5 metal cable gland | A5Q00004478 | 0,036 |
| – | M20 x 1.5 metal counter nut | A5Q00004479 | 0,006 |
| DBZ1190-AB | 2.5 mm ² , 3-pin connection terminal | BPZ:4942340001 | 0,001 |
| Accessories | | | |
| FDMC295 | Protective cover | A5Q00013440 | 0,036 |
| Replacement material | | | |
| FDMK295 | Key | A5Q00013448 | 0,001 |
| FDMG295 | Glass insert 'Neutral' | A5Q00013442 | 0,012 |
| FDMP295 | Plastic insert 'Neutral' | A5Q00013445 | 0,008 |
| FDMG295-F | Glass insert 'France' | A5Q00013443 | 0,012 |
| FDMP295-F | Plastic insert 'France' | A5Q00013446 | 0,008 |

Product documentation


| Document ID | Title |
|-------------|--|
| 008164 | Equipment overview Sinteso™ Detector system FD20 |
| A6V10225323 | Equipment overview Cerberus™ PRO Detector system FD720 |
| 009757 | Technical manual Manual call points FDM221, FDM225, FDM226 |
| 008331 | List of compatibility (for 'Sinteso™' product line) |
| A6V10229261 | List of compatibility (for 'Cerberus™ PRO' product line) |


Related documents such as environmental declarations, CE declarations, etc., can be downloaded at the following Internet address:

<http://siemens.com/bt/download>

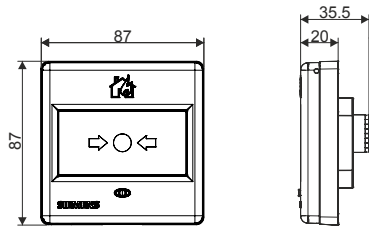
Technical data

| | | | | |
|---|--|----------------------|------------------|------------------|
| FDnet/C-NET operating voltage | DC 12...33 V | | | |
| Operating current (quiescent) | 180 µA | | | |
| Operating temperature | -25...+70 °C | | | |
| Storage temperature | -30...+75 °C | | | |
| Air humidity | ≤ 95 % rel. | | | |
| Communication protocol | FDnet/C-NET | | | |
| Connection terminals | 0.28...1.5 mm ² | | | |
| Color | ~RAL 3000, flame red | | | |
| Design according to EN 54-11 | Direct activation 'type A' | | | |
| Environmental category according to EN 54-11: | <ul style="list-style-type: none"> • FDM225-xx: In buildings • FDM226-xx: In buildings and outdoor areas | | | |
| Color | ~RAL 3000, flame red | | | |
| Protection category (IEC 60529): | <ul style="list-style-type: none"> • FDM225-xx: IP44 • FDM226-xx: IP66 | | | |
| Approvals: | FDM225-RP | FDM225-RG | FDM226-RP | FDM226-RG |
| | FDM225-RP (F) | FDM225-RG (F) | | |
| • VdS | G207092 | G207092 | G209194 | G209194 |
| • LPCB | 126ap/01 126ap/10 | 126ap/02 126ap/11 | 126ap/03 | 126ap/04 |
| System compatibility: | <ul style="list-style-type: none"> • FDnet: FS20, AlgoRex, SIGMASYS • C-NET: FS720 | | | |

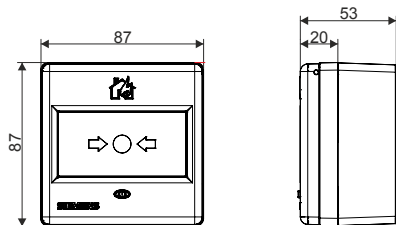
| | | | | |
|---|------|--|--|--|
| 08  | 0832 | FDM225-RG/FDM225-RP/FDM225-RG (F)/FDM225-RP (F) | Siemens Switzerland Ltd; Gubelstrasse 22 CH-6301 Zug Technical data: see doc. 009757 | |
| | | | FDM225 - Manual callpoint incl. short-circuit isolator for use in fire detection and fire alarm systems installed in buildings | |
| 305/2011/EU (CPR): EN 54-11 / EN 54-17 ; 2004/108/EC (EMC): EN 50130-4 / EN 61000-6-3 ; 2011/65/EU (RoHS): EN 50581 | | | | |
| Declared performance and conformity can be seen in the Declaration of Performance and the EC Declaration of Conformity, which is obtainable via the Customer Support Center: Tel. +49 89 9221-8000 or http://siemens.com/bt/download | | | | |
| DoP No.: 0832-CPR-F1082; DoC No.: CED-FDM225 | | | | |

| | | | | |
|---|------|----------------------------|--|--|
| 08  | 0832 | FDM226-RG/FDM226-RP | Siemens Switzerland Ltd; Gubelstrasse 22 CH-6301 Zug Technical data: see doc. 009757 | |
| | | | FDM226 - Manual callpoint incl. short-circuit isolator for use in fire detection and fire alarm systems installed in buildings | |
| 305/2011/EU (CPR): EN 54-11 / EN 54-17 ; 2004/108/EC (EMC): EN 50130-4 / EN 61000-6-3 ; 2011/65/EU (RoHS): EN 50581 | | | | |
| Declared performance and conformity can be seen in the Declaration of Performance and the EC Declaration of Conformity, which is obtainable via the Customer Support Center: Tel. +49 89 9221-8000 or http://siemens.com/bt/download | | | | |
| DoP No.: 0832-CPR-F1083; DoC No.: CED-FDM226 | | | | |

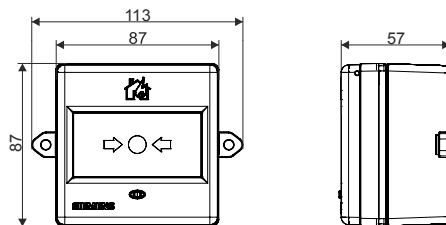
Manual call point FDM225-xx (recessed mounting)



Manual call point FDM225-xx with back box FDMH295-x (surface mounting)



Manual call point FDM226-xx



When mounting protective cover FDMC295 on manual call points, the depth dimension increases by 7 mm accordingly.

Issued by
Siemens Switzerland Ltd
Building Technologies Division
International Headquarters
Gubelstrasse 22
CH-6301 Zug
Tel. +41 41-724 24 24
www.siemens.com/buildingtechnologies

© Siemens Switzerland Ltd, 2014
Technical specifications and availability subject to change without notice.