



FDCIO223 Transponder

addressable (FDnet/C-NET)

Sinteso™
Cerberus™ PRO



- 2 monitored in-/outputs selectable as detector line (collective Siemens/Cerberus, Synova 600 or conventional Synova 300), as contact input, control output or as control output with acknowledgement
- LED display of input and output status, fault, test, etc.
- Control output for equipment DC 24 V, max. 2 A
- Two-wire installation for all types of cable
- Pluggable connection terminals
- Power supply DC 24 V external (detection lines galvanically isolated)
- Microprocessor-controlled signal evaluation
- Communication via FDnet/C-NET (individual addressing)
- Applicable in dry, dusty and humid areas
- Different mounting possibilities

Characteristics

- **Environmental**

- ecological processing
- recyclable materials
- electronic und synthetic materials can be easily separated

- **Characteristics**

- transparent housing for good visibility of the indicators
- protected electronics
- integrated line separator
- easy installation with spring-loaded catch
- applicable in dry areas
- use auxiliary housing for application in dust and humid/wet areas

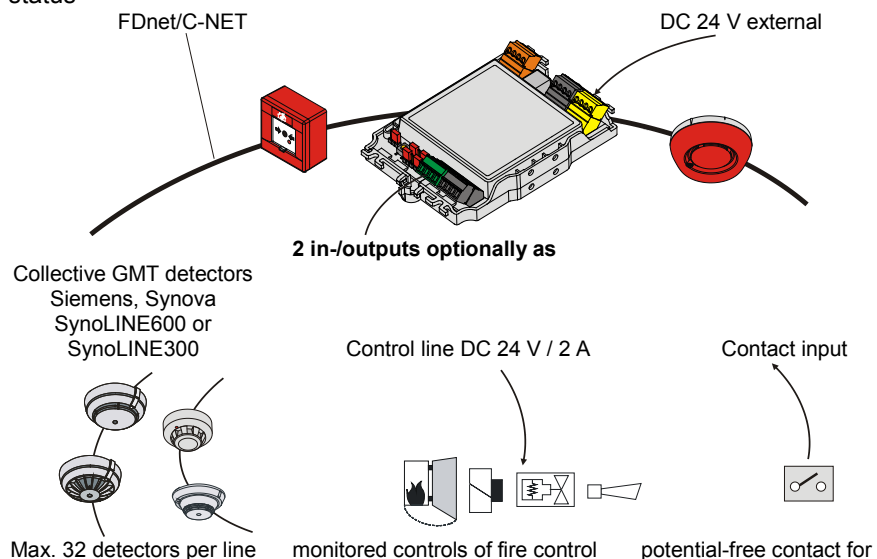
FDCIO223 Transponder

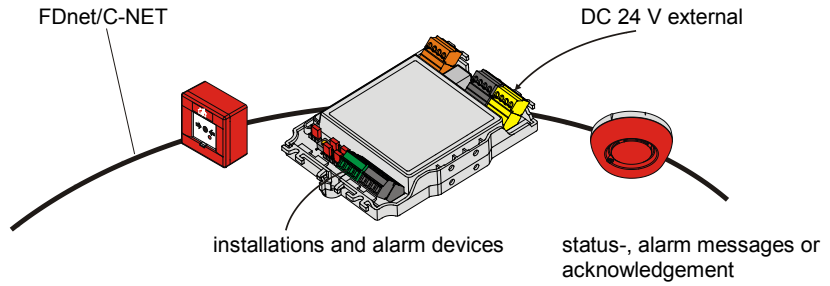
- **Function**

- The 2 in-/outputs can be parameterized autonomously in each case as
 - detector line collective
 - contact input
 - control output
 - control output and input as acknowledgement with selectable monitoring time frame
- Monitored of the in-/outputs as
 - detector line in quiescent condition, alarm, open line, short circuit, fault and earth fault
 - contact input in quiescent condition, activate, open line, short circuit, fault (termination resistors) and earth fault
 - control output in quiescent condition, open line, short circuit and earth fault
- Status indication by LED
- Control output with selectable equipments monitoring equal polarity or by reversed polarity (e.g. alarm devices)

- **Application**

- for connection of collective fire detectors (GMT/conventional line, GMT/conventional line with shunt-Zener-diode barrier (SB3) for explosion-hazard areas)
- for monitored controls of e.g. smoke dampers, alarm devices, door magnets and extinguishing activation devices (adhere to country-specific instructions)
- monitored signal input for status and alarm messages or for acknowledging technical status

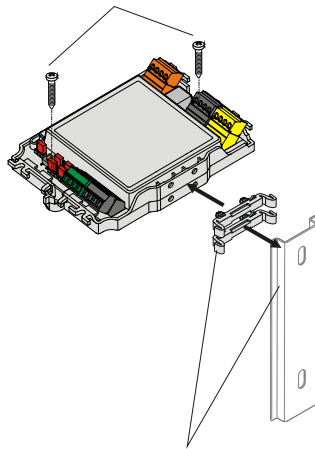




Installation

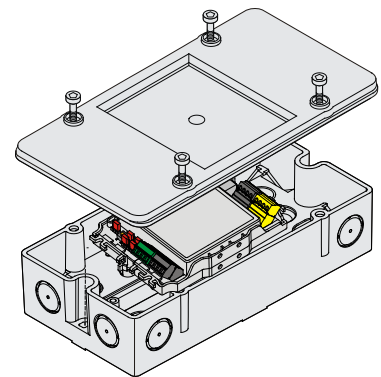
- screw directly onto plane surface area
- mounting (series mounting) top hat rail TS35
- surface or recess-mounted cable ducts
- in housing FDCH221 with cover, seal and screws

Installation directly in switching cabinet / control unit



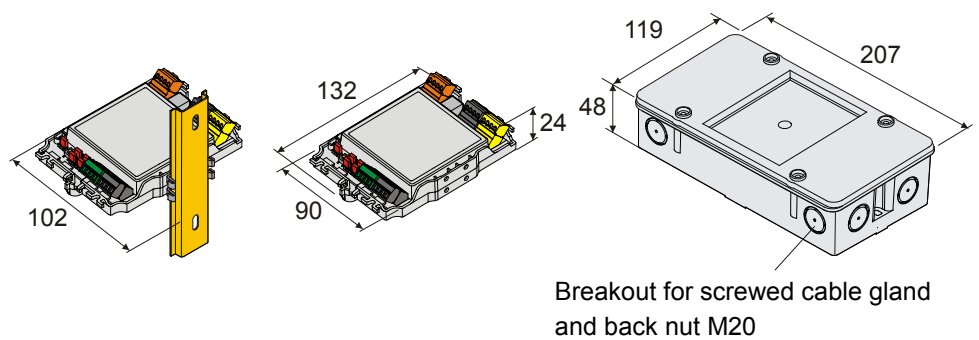
Installation in range with enclosed mounting feet at top hat rail TS35

Mounting in separate housing FDCH221




For shielding cables use connection terminals DBZ1190-AB

Dimensions



Technical data

Operating voltage FDnet/C-NET	DC 12...33 V
External power supply	
- Input voltage	DC 18...32 V
In-/outputs as	
- Collective detector line	GMT Siemens/Cerberus, Synova300C or similar
- Collective line factor KLK	32
- End of line	20 V transzorb diode or EOL22(Ex)
- Control output	DC 24 V $\pm 5\%$ / 2 A (fuse on site)
- Contact input	
- End of line combinations	3.3 k Ω / 680 Ω , 2.7 k Ω / 560 Ω , 3.3k Ω
Operating temperature	-25...+60 °C
Storage temperature	-30...+65 °C
Humidity	$\leq 95\%$ rel.
Communication protocol	FDnet/C-NET
Connectable terminal blocks	0.2...1.5 mm ² (Auxiliary terminal 2,5 mm ²)
Color	
- Housing	white, ~RAL 9010
- Cover	transparent matt
- Aux. housing FDCH221	white, ~RAL 9010
Protection category EN 60529 / IEC 60529	IP30
- with aux. housing FDCH221	IP65
Standards	CEA GEI I-084, EN 54-17, EN 54-18
Approvals	
- VdS	G206054
- LPCB	531m/03
System compatibility	
- FDnet	FS20, AlgoRex, SIGMASYS
- C-NET	FS720

07  0786	FDCIO223	Siemens Switzerland Ltd, Gubelstrasse 22 CH-6301 Zug, Switzerland Technical data: see doc. 009122
FDCIO223 - Input/output device incl. short-circuit isolator for use in fire detection and fire alarm systems installed in buildings		
305/2011/EU (CPR): EN 54-18 / EN 54-17 ; 2004/108/EC (EMC): EN 50130-4 / EN 61000-6-3 ;		
Declared performance and conformity can be seen in the Declaration of Performance and the EC Declaration of Conformity, which is obtainable via the Customer Support center: Tel. +49 89 9221-8000 or http://siemens.com/bt/download		
DoP No.: 0786-CPR-20430; DoC No.: CED-FDCIO223		

Details for ordering

	Type	Part no	Designation	Weight
	FDCIO223	S24218-B102-A1	Transponder incl. 2 pcs. transzorb diode 20 V, 4 sets termination resistors, 2 mounting feeds	0.164 kg
	FDCH221	S54312-F3-A1	Housing with cover, seal and screws	0.280 kg
	–	A5Q00004478	Metal screwed cable gland M20 x 1.5	0.039 kg
	–	A5Q00004479	Back nut M20	0.006 kg
	DBZ1190-AB	BPZ:4942340001	Connection terminal 1.0...2.5 mm ² (3-pole)	0.002 kg
Spare part	FDCM291	A5Q00003855	Mounting feeds (25 pcs.)	0.060 kg

Details see equipment overview 008164 (Sinteso), A6V10225323 (Cerberus PRO)
Details about system compatibility see List of compatibility 008331

Siemens Switzerland Ltd
Infrastructure & Cities Sector
Building Technologies Division
International Headquarters
CPS Fire Safety
Gubelstrasse 22
CH-6301 Zug
Tel. +41 41 724 24 24
www.siemens.com/buildingtechnologies

© 2014 Copyright by
Siemens Switzerland Ltd
Data and design subject to change without notice.
Supply subject to availability.

Document no. **009168_j_en_--**
Edition 04.2014

Manual FD20 / FD720
Section 5 / 5