



## FDCI222, FDCIO222, FDCIO224

Sinteso™  
Cerberus™ PRO

### Input module Input/output modules

CE

addressable (FDnet/C-NET)

- Input module FDCI222 with 4 monitored contact inputs for the acknowledgement of technical states or alarm actuation
- Input/output module FDCIO222 with 4 control outputs with potential-free relay contacts for the control of fire doors, ventilation, air conditioning, elevator control installations and 4 monitored contact inputs for acknowledgement or alarm actuation
- Input/output module FDCIO224 with 4 control outputs with potential-free relay contacts for the control for VdS interface of an extinguishing activating device and 4 monitored contact inputs for acknowledgement (status messages)
- Microprocessor-controlled signal evaluation
- LED display of input and output status, fault, test, etc.
- Two-wire installation for all types of cable
- Power supply via FDnet/C-NET
- Communication via FDnet/C-NET (individual addressing)
- Applicable in dry, dusty and humid areas
- Different mounting possibilities

## Characteristics

---

- **Environmental**

- ecologically processing
- recyclable materials
- electronic und synthetic material simple separable

- **Characteristics**

- transparent housing for good visibility of the indicators
- protected electronics
- integrated line separator
- temporal status monitoring
- no auxiliary power supply required
- easy installation with spring-loaded catch
- applicable in dry areas
- use auxiliary housing for application in dust and humid/wet areas

## FDCI222 Input module

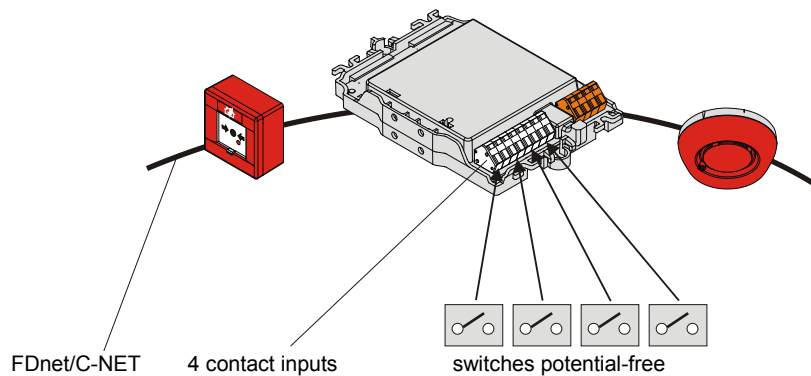
---

- **Function**

- 4 inputs for potential-free contacts
- Input lines are monitored for open line and short circuit (termination resistors).
- Inputs can be independently configured via the fire control panel for status or alarm messages.
- status indication by LED

- **Application**

- For the connection of 4 independent, potential-free make or break contacts for the message of technical states (e.g. door or ventilation control) or for alarm actuation (e.g. sprinkler alarm).



## FDCIO222, FDCIO224 Input/output modules

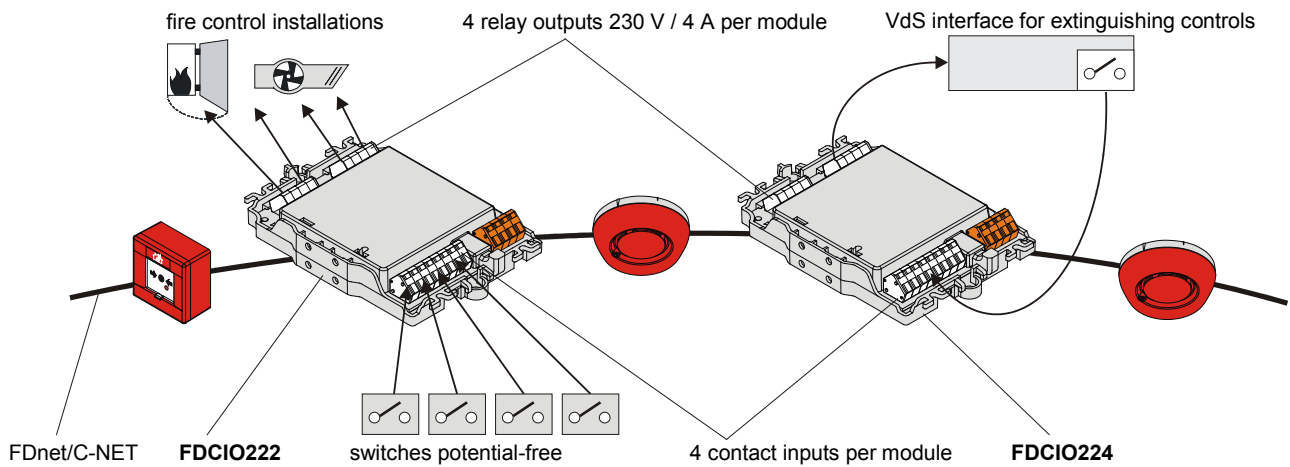
---

- **Function**

- 4 inputs for potential-free contacts
- Input lines are monitored for open line and short circuit (termination resistors).
- Inputs can be independently configured via the fire control panel for status or alarm messages.
- 4 outputs with 4 potential-free relay contacts (AC 230 V / 4 A) for fire control installations (FDCIO222), for the VdS interface for extinguishing controls (FDCIO224)
- status indication by LED

● **Application**

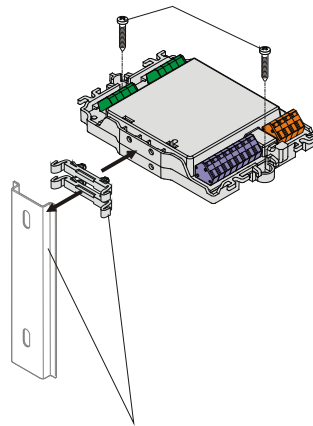
- FDCIO222 for the connection of 4 independent, potential-free make or break contacts for the message of technical states (e. g. door or ventilation control) or for alarm actuation (e.g. sprinkler alarm).
- For the decentralized control of fire doors, ventilation, air conditioning, etc.
- FDCIO224 for the VdS interface for extinguishing activating devices



**Installation**

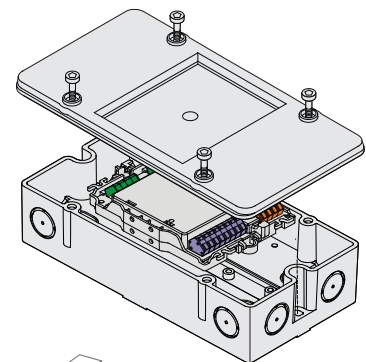
- screw directly onto plane surface area
- mounting (series mounting) top hat rail TS35
- surface- or recess-mounted cable ducts
- in housing FDCH221 with cover, seal and screws

Installation directly in switching cabinet / control unit



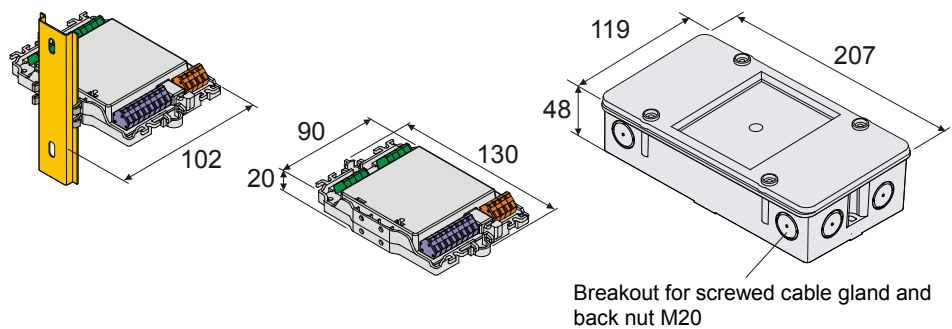
Installation in range with enclosed mounting feeds at top U rail TS35

Mounting in separate housing FDCH221






For shielding cables use connection terminals DBZ1190-AB

**Dimensions**



## Technical data

|  | FDCI222  | FDCIO222 / FDCIO224                                       |
|--|--|---|
| Operating voltage                        | DC 12...33 V                                     | DC 12...33 V  |
| Operating current (quiescent)            | 0.25...0.35 mA                                   | 0.6...0.75 mA   |
| Relays output (ohm)                      | –  | AC 250 V / 4 A, max. 1000 VA<br>DC 30 V / 4 A, max. 120 W |
| Operating temperature                    | -25...+60 °C                                     | -25...+60 °C  |
| Storage temperature                      | -30...+65 °C                                     | -30...+65 °C  |
| Humidity                                 | ≤95 % rel.                                       | ≤95 % rel.  |
| Communication protocol                   | FDnet/C-NET                                      | FDnet/C-NET   |
| Connection terminals                     | 0.2...1.5 mm <sup>2</sup> (2.5 mm <sup>2</sup> ) | 0.2...1.5 mm <sup>2</sup> (2.5 mm <sup>2</sup> )          |
| Color                                    |  |   |
| – Housing                                | white, ~RAL 9010                                 | white, ~RAL 9010  |
| – Cover                                  | transparent matt                                 | transparent matt  |
| – Aux. housing FDCH221                   | white, ~RAL 9010                                 | white, ~RAL 9010  |
| Protection category EN 60529 / IEC 60529 | IP30   | IP30  |
| – with aux. housing FDCH221              | IP65   | IP65  |
| Standards                                | CEA GEI I-084,<br>EN 54-17, EN 54-18             | CEA GEI I-084,<br>EN 54-17, EN 54-18                      |
| Approvals                                |  | FDCIO222      FDCIO224                                    |
| – VdS                                    | G204028  | G204029      G207001                                      |
| – LPCB                                   | 531m/01  | 531m/02      –  |
| System compatibility                     |  |   |
| – FDnet                                  |  | FS20, AlgoRex, SIGMASYS                                   |
| – C-NET                                  |  | FS720   |
| QS standards                             |  | Siemens Standard SN 36350                                 |

|   |                 |  |
|---|-----------------|--|
| 08  0786   | <b>FDCI222</b>  | Siemens Switzerland Ltd, Gubelstrasse 22<br>CH-6301 Zug, Switzerland<br>Technical data: see doc. <b>007023</b> |
| FDCI222 - Input/output device incl. short-circuit isolator for use in fire detection and fire alarm systems installed in buildings  |                 |  |
| 305/2011/EU (CPR): EN 54-18 / EN 54-17 ; 2004/108/EC (EMC): EN 50130-4 / EN 61000-6-3 ;   |                 |  |
| Declared performance and conformity can be seen in the Declaration of Performance and the EC Declaration of Conformity, which is obtainable via the Customer Support center: Tel. +49 89 9221-8000 or <a href="http://siemens.com/bt/download">http://siemens.com/bt/download</a> |                 |  |
| DoP No.: 0786-CPR-20446; DoC No.: CED-FDCI222   |                 |  |
| 08  0786   | <b>FDCIO222</b> | Siemens Switzerland Ltd, Gubelstrasse 22<br>CH-6301 Zug, Switzerland<br>Technical data: see doc. <b>007023</b> |
| FDCIO222 - Input/output device incl. short-circuit isolator for use in fire detection and fire alarm systems installed in buildings   |                 |  |
| 305/2011/EU (CPR): EN 54-18 / EN 54-17 ; 2004/108/EC (EMC): EN 50130-4 / EN 61000-6-3 ; 2006/95/EC (LVD): EN 60950-1  |                 |  |
| Declared performance and conformity can be seen in the Declaration of Performance and the EC Declaration of Conformity, which is obtainable via the Customer Support center: Tel. +49 89 9221-8000 or <a href="http://siemens.com/bt/download">http://siemens.com/bt/download</a> |                 |  |
| DoP No.: 0786-CPR-20447; DoC No.: CED-FDCIO222  |                 |  |
| 08  0786   | <b>FDCIO224</b> | Siemens Switzerland Ltd, Gubelstrasse 22<br>CH-6301 Zug, Switzerland<br>Technical data: see doc. <b>007023</b> |
| FDCIO224 - Input/output device incl. short-circuit isolator for use in fire detection and fire alarm systems installed in buildings   |                 |  |
| 305/2011/EU (CPR): EN 54-18 / EN 54-17 ; 2004/108/EC (EMC): EN 50130-4 / EN 61000-6-3 ; 2006/95/EC (LVD): EN 60950-1  |                 |  |
| Declared performance and conformity can be seen in the Declaration of Performance and the EC Declaration of Conformity, which is obtainable via the Customer Support center: Tel. +49 89 9221-8000 or <a href="http://siemens.com/bt/download">http://siemens.com/bt/download</a> |                 |  |
| DoP No.: 0786-CPR-20448; DoC No.: CED-FDCIO224  |                 |  |

## Details for ordering

| Type       | Part no        | Designation  | Weight                   |          |
|------------|----------------|--|--------------------------|----------|
| FDCI222    | A5Q00001984    | Input module 4 inputs incl. 8 resistors,<br>2 mounting feeds   | 0.080 kg                 |          |
| FDCIO222   | A5Q00002369    | Input/output module (4 inputs / 4 outputs) incl. 8<br>resistors and 2 mounting feeds                         | 0.116 kg                 |          |
| FDCIO224   | A5Q00018689    | Input/output module (4 inputs / 4 outputs) incl. 8<br>resistors and 2 mounting feeds, for VdS inter-<br>face | 0.116 kg                 |          |
| FDCH221    | S54312-F3-A1   | Housing with cover, seal and screws  | 0.280 kg                 |          |
| –          | A5Q00004478    | Metal screwed cable gland M20 x 1.5  | 0.039 kg                 |          |
| –          | A5Q00004479    | Back nut M20   | 0.006 kg                 |          |
| DBZ1190-AB | BPZ:4942340001 | Connection terminal 1.0...2.5 mm <sup>2</sup> (3-pole)   | 0.002 kg                 |          |
| Spare part | FDCM291        | A5Q00003855  | Mounting feeds (25 pcs.) | 0.002 kg |
|            |                | Details see equipment overview 008164 (Sinteso), A6V10225323 (Cerberus PRO)                                  |                          |          |
|            |                | Details about system compatibility see List of compatibility 008331  |                          |          |

Siemens Switzerland Ltd  
Infrastructure & Cities Sector  
Building Technologies Division  
International Headquarters  
CPS Fire Safety  
Gubelstrasse 22  
CH-6301 Zug  
Tel. +41 41 724 24 24  
[www.siemens.com/buildingtechnologies](http://www.siemens.com/buildingtechnologies)

© 2014 Copyright by  
Siemens Switzerland Ltd  
Data and design subject to change without notice.  
Supply subject to availability.

---

Document no. **007024\_j\_en\_--**  
Edition 04.2014

Manual FD20 / FD720  
Section 5 / 5